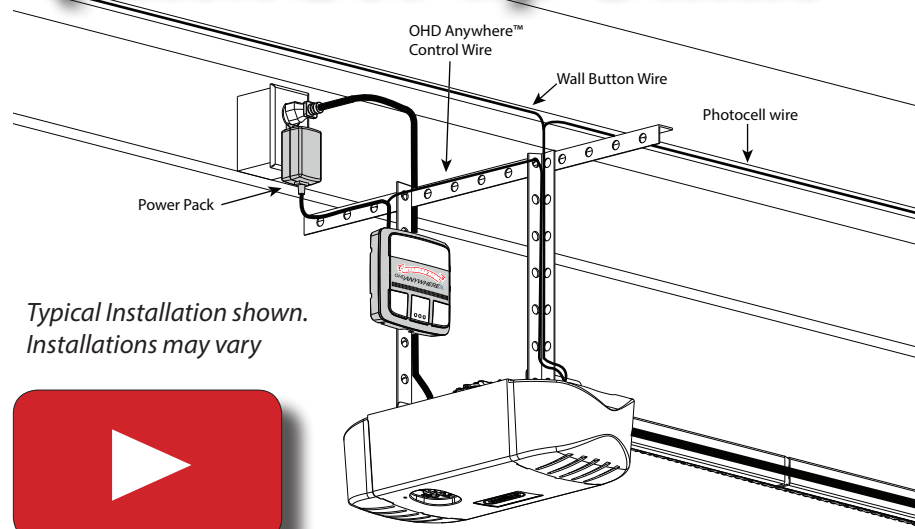




OHD ANYWHERE™ Quick Set-up Guide



Typical Installation shown. Installations may vary

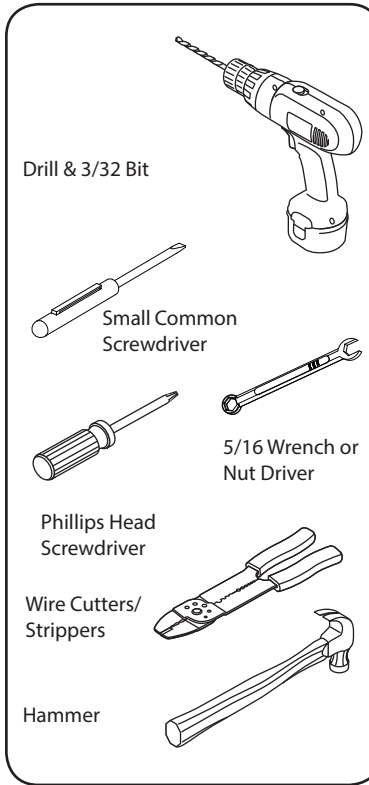


For a video of this installation, Visit www.OverheadDoor.com/OHDAnywhere/InstallationVideo
Need help or have questions? Contact OHD Anywhere™ Customer Service at 1-888-901-2750



Scan for the OHD Anywhere™ installation video

Recommended Tools



Scan here for additional OHD Anywhere™ information

Included Components



IMPORTANT SAFETY INSTRUCTIONS WARNING

TO REDUCE THE RISK OF SEVERE INJURY OR DEATH, READ AND FOLLOW ALL INSTRUCTIONS.

1. NEVER let children operate or play with the door controls.
2. Keep remote away from children.
3. Locate the wall control button & DCM: A) Within sight of door. B) At a minimum height of 5 feet, so small children cannot reach it.
4. Install the entrapment WARNING label next to the wall button or console, in a prominent location.
5. NO ONE SHOULD CROSS THE PATH OF THE MOVING DOOR.
6. NEVER GO UNDER A STOPPED, PARTIALLY OPEN DOOR.
7. The OHD Anywhere™ operating system is designed for unattended operation. The door could move unexpectedly.
8. DO NOT install OHD Anywhere™ on garage door openers manufactured prior to 1993 without photocell non-contact safety sensors.
9. DO NOT install on one-piece doors
10. Install DCM in a location where it can be seen and heard while standing in the door opening with the door in the open position.

SAVE THESE INSTRUCTIONS

CONSIGNES DE SÉCURITÉ IMPORTANTES AVERTISSEMENT

POUR RÉDUIRE LE RISQUE DE BLESSURES GRAVES VOIRE MORTELLES, LIRE ET COMPRENDRE TOUTES LES INSTRUCTIONS.

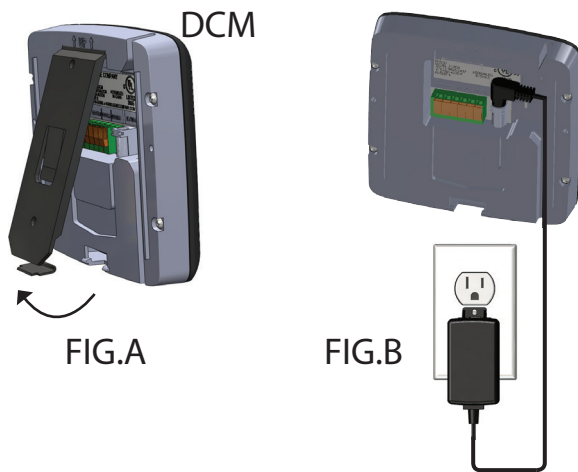
1. NE JAMAIS laisser les enfants utiliser ou jouer avec les commandes de l'ouvre-porte.
2. Tenir les télécommandes hors de la portée des enfants.
3. Localiser le bouton de la console murale (DCM) : A) En vue de la porte. B) À une hauteur minimale de 1,5 m afin que les jeunes enfants ne puissent pas l'atteindre.
4. Placer l'étiquette d'AVERTISSEMENT en cas de coincage à proximité du bouton mural ou de la console murale de manière à ce qu'elle soit bien en évidence.
5. NE JAMAIS PASSER SOUS LA PORTE EN MOUVEMENT.
6. NE JAMAIS PASSER SOUS UNE PORTE À L'ARRÊT PARTIELLEMENT OUVERTE.
7. Le système d'exploitation OHD Anywhere™ a été conçu pour fonctionner sans surveillance. La porte peut se déplacer de façon inattendue.
8. NE PAS installer OHD Anywhere™ sur les ouvre-portes de garage fabriqués avant 1993, sans capteurs de sécurité photoélectrique sans contact.
9. NE PAS installer sur les portes d'une seule pièce.
10. Installez DCM dans un endroit où il peut être vu et entendu tout en se tenant dans l'ouverture de la porte avec la porte en position ouverte.

CONSERVER CES INSTRUCTIONS

STEP 1

In the Home close to Wi-Fi Router:

1. Remove mounting bracket from back of DCM. FIG.A.
2. Plug OHD Anywhere™ into wall outlet with Power Pack. FIG. B.
3. Plug Power Pack into DCM controller.



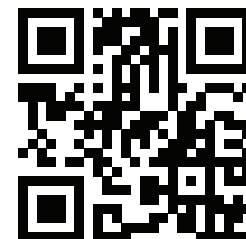
STEP 2

In the Home close to Wi-Fi Router:

Download the OHD Anywhere™ app.

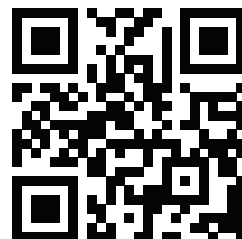
1. Scan the QR code below or visit your devices app store to start the setup of the OHD Anywhere™ device.
2. Follow the on-screen menus to create an account and program system prior to wiring in the garage.
3. At the installation prompt, disconnect Power Pack and move system to the garage.

Scan for iOS app



Apple and the Apple logo are trademarks of Apple Inc., registered in the U.S. and other countries. App Store is a service mark of Apple Inc.

Scan for Android app



Installation Prompt

STEP 3

In the Garage:

These factors must be determined prior to mounting OHD Anywhere™ (DCM) to the wall or ceiling.

1. Optimal Wi-Fi signal strength.

If an optimal signal cannot be located within the garage, move the wireless router closer to the garage or install a Wi-Fi range extender (available from most electronic stores)

2. Desired DCM location.

3. Access to 110VAC outlet within 5 feet.

1. Plug Power Pack into wall outlet and DCM near the chosen mounting location.

The Wi-Fi signal indicator LED should illuminate signaling that the Wi-Fi signal is still in tact.

- A **GREEN** LED indicates a good Wi-Fi signal.
 - A **RED** LED, indicates a lost or faulty signal. Move OHD Anywhere™ to a position that better suits the Wi-Fi signal from the router. Contact Customer Service for further assistance. (1-888-901-2750)
2. Once an **optimal** signal and location is obtained, **UNPLUG** Power Pack from the DCM and continue to **STEP 4**.

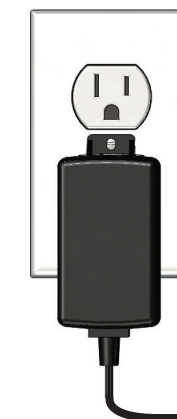
WARNING

UNPLUG GARAGE DOOR OPENER PRIOR TO INSTALLING OHD Anywhere™
Door may operate unexpectedly.

AVERTISSEMENT

DÉBRANCHER L'OUVRE-PORTE DE GARAGE AVANT D'INSTALLER OHD Anywhere™
La porte peut fonctionner de façon inattendue.

Wi-Fi Signal Indicator
GOOD -- POOR



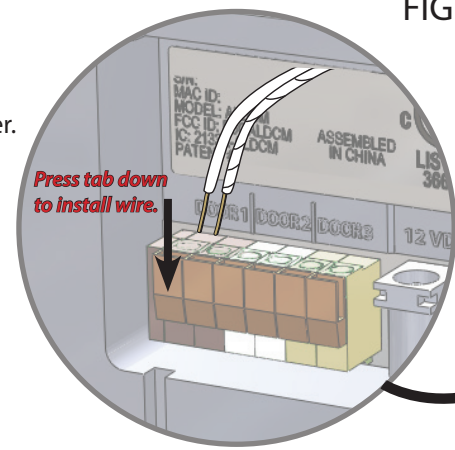
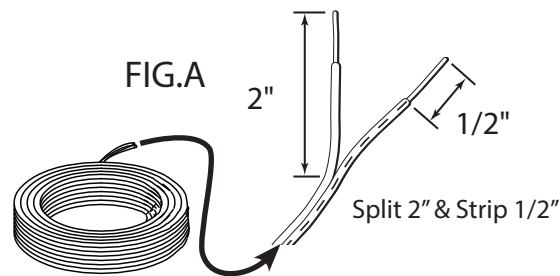
STEP 4

Wire OHD Anywhere™: (Single door install shown)

OHD Anywhere™ will wire directly to the wall control connections at the powerhead or directly to the wall control. New Overhead Door models shown.

Visit www.OverheadDoor.com/OHDAnywhere for more information on older models and other brands of garage door openers.

1. Make sure garage door opener is unplugged.
 - Leave wire spool intact for this part of the install.
2. Split provided dual strand wire approximately 2 in. then strip 1/2 in. of insulation. FIG. A.
3. Press orange tabs down and insert both wires into connection points for DOOR 1 on the back of the DCM. FIG. B.
4. Trim and split the other end of the dual strand wire approximately 2 in. and then strip 1/2 in. of insulation. FIG. A.
5. Insert wire into wall control inputs either:
 - (OPTION A) Directly to the garage door opener.
 - OR
 - (OPTION B) To the Back of the wall control.



Button & Connection Detail

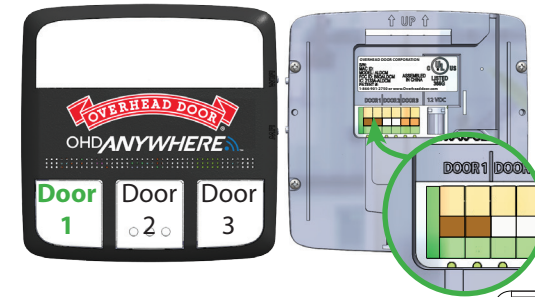
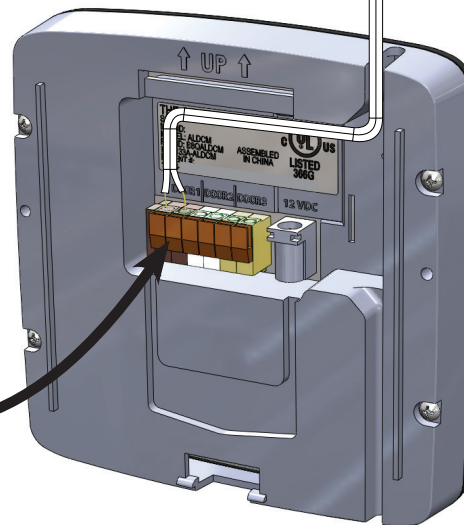


FIG. B



Current model Overhead Door brand opener shown. *See note for other models and brands.

OPTION A
Wire DCM Directly to
Garage Door Opener

OPTION B
Back of Wall Control
Connect wire along with
existing wall control wires.



NOTE: Wires from wall control to garage door opener **ARE** polarity sensitive. Be sure to reattach to the proper terminal should they become detached. Wall control should light when wired correctly.

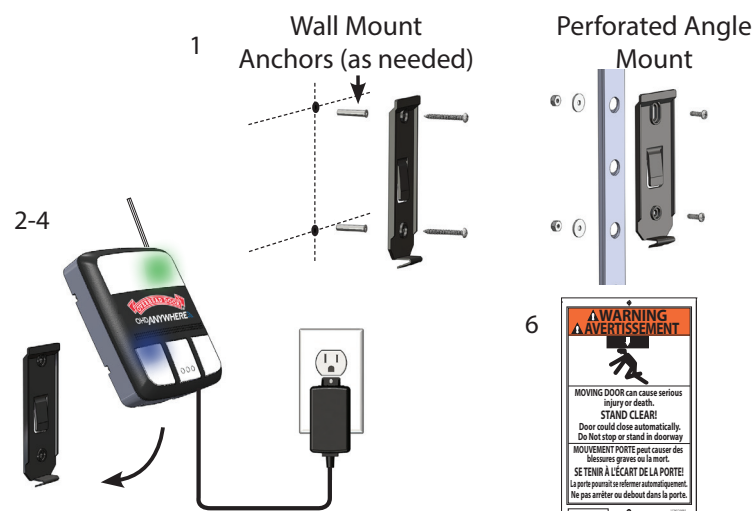
*Wiring methods for other garage door openers.

All Overhead Door brand and most competitor brands of garage door openers will operate with OHD Anywhere™. Visit www.OverheadDoor.com/OHDAnywhere to check compatibility with other manufacturer's controls or check your garage door opener's owners manual for wall control wiring instructions. OHD Anywhere™ will operate up to 3 garage door openers.

STEP 5

Mount and Power OHD Anywhere™:

1. Using the DCM mounting bracket as a template at the optimal Wi-Fi location. Mark and drill 2-3/32" pilot holes and mount bracket to wall using supplied screws. If mounting to drywall, use anchors provided in kit or if mounting to perforated angle at opener location, use nuts, washers and screws provided.
 2. Plug Power Pack into wall outlet. An extended screw is provided to secure Power Pack to outlet if needed.
 3. Plug Power Pack into back of DCM as shown in **STEP 1**.
- NOTE:** LEDs on DCM will flash momentarily as it reacquires signals.
4. Snap DCM onto mounting bracket.
 5. Route wires and secure with supplied staples.
 6. Affix the warning placard next to wall control or DCM in plain sight to signify that the door will operate remotely.



STEP 6

Mount DPS Module to Garage Door:

DO NOT remove the battery "PULL TAB" from DPS until directed by the app.

The DPS should be mounted on the **TOP door panel** only. Mount to steel reinforced end stile on the far left or right under the top hinge. DO NOT mount to unreinforced door panel.

1. Clean door where DPS will mount.
 2. Install double sided tape to back of mounting bracket and affix to door.
- NOTE:** Double sided tape is designed to hold bracket in place temporarily only. Not to be used for permanent mounting.
3. Pre-drill 2 - 3/32 holes. DO NOT drill all the way through door.
 4. Use included self tapping screws to mount DPS bracket to top door panel end stile.
 5. Slide DPS down onto mounting bracket. DPS should snap onto bracket.

NOTE: The DPS included with this kit is already programmed to the DCM. See the NOTE under **STEP 7** regarding additional sensors (DPS).

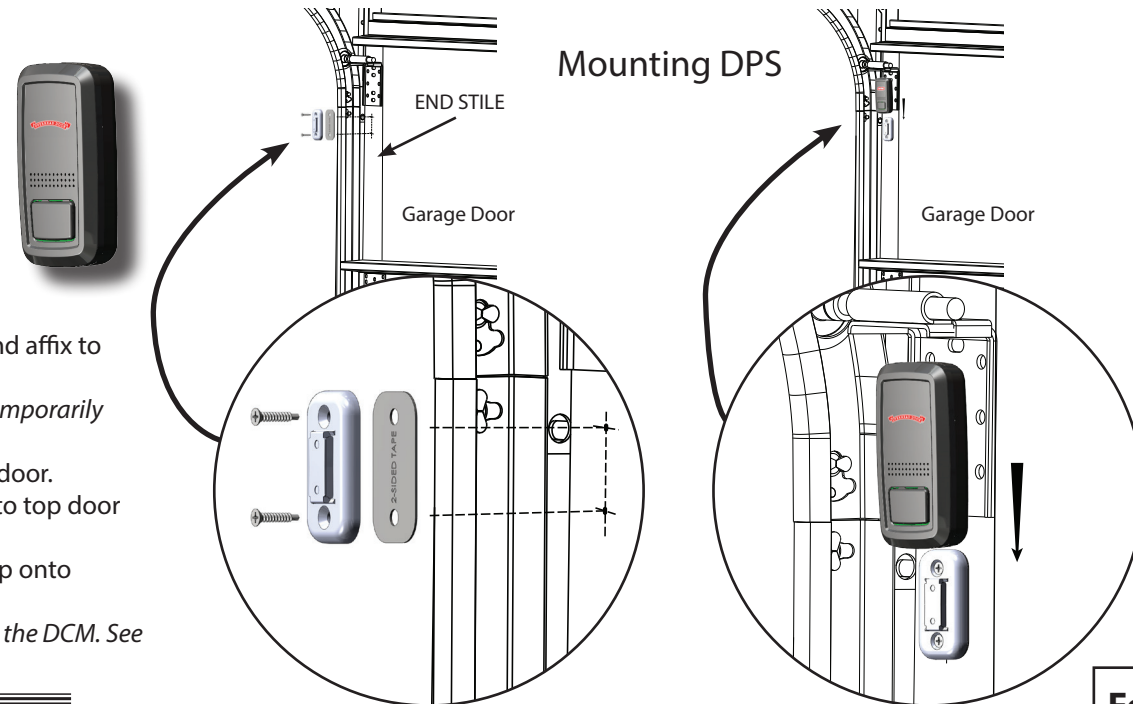
STEP 7

Complete the Programming:

1. Restore power to the garage door opener.
2. Follow the on screen prompts to complete the set-up and test the OHD Anywhere™ system.

NOTE: This kit includes one DPS for use with one door only. The DPS included is already programmed to the DCM. Additional sensors can be purchased separately from your local Overhead Door retailer. To program additional sensors, first complete STEP 7 initial setups and programming, then go to "Add a Door Sensor" under the "Doors" tab inside the app or view the installation video at www.OverheadDoor.com/OHDAnywhere/InstallationVideo.

NOTE: A white light will flash and an audible beep will sound as an indication that the door is about to move when commanded by the Aladdin Connect™ or other compatible app(s).



Features:

If the garage door opener is operated by any means, the OHD Anywhere™ app will send an alert to your device indicating the status of the garage door. A log is also created to indicate when the door was operated. Visit www.OverheadDoor.com/OHDAnywhere for more information.

For technical assistance, contact your local Overhead Door Distributor or call OHD Anywhere™ Customer Service at 1-888-901-2750 or watch the installation video at: www.OverheadDoor.com